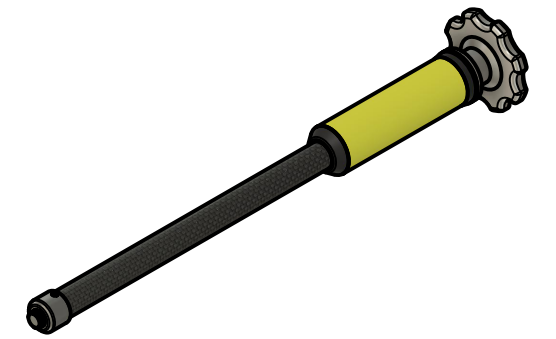


CARBON VERSION WEIGHS LESS THAN 2 LBS

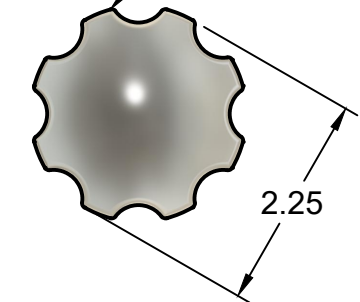
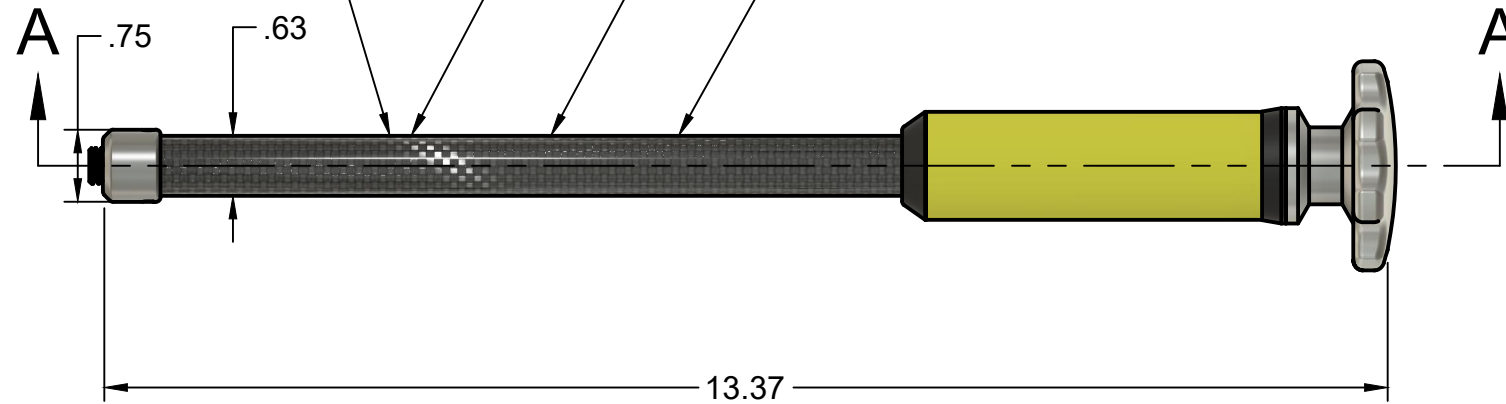
HOUSING IS AN INDEPENDANT AND MODULAR FEATURE;
EASILY MADE IN ANY LENGTH.

CARBON FIBER , STAINLESS OR TITANIUM HOUSING

SLIMEST HOUSING FOR MAXIMUM VISIBILITY

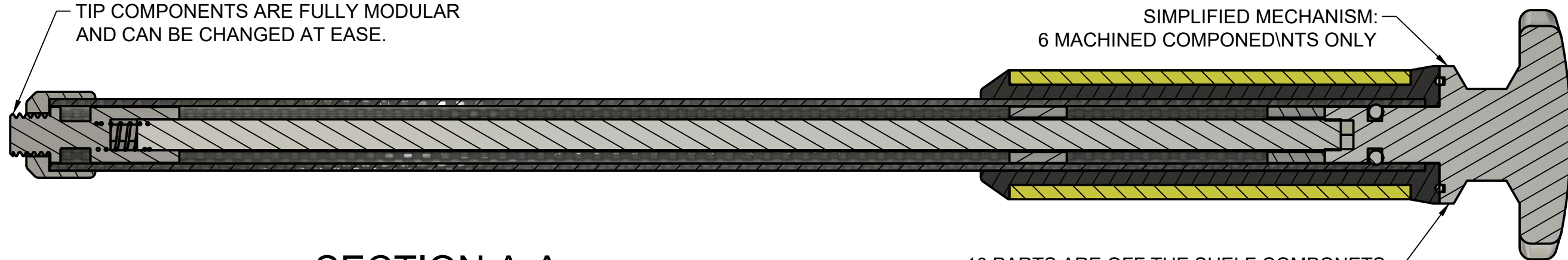


DISTAL KNOB FOR
REMOTE CUP
REMOVAL



TIP COMPONENTS ARE FULLY MODULAR
AND CAN BE CHANGED AT EASE.

SIMPLIFIED MECHANISM:
6 MACHINED COMPONEDINTS ONLY



10 PARTS ARE OFF THE SHELF COMPONETS

SECTION A-A
SCALE 1:1

	PROJECT			
	Odin Surgical			
	TITLE			
	Straight Cup Inserter			
APPROVED	SIZE	CODE	DWG NO	REV
CHECKED	B			
DRAWN	Broderick Pool	11/3/2021	SCALE 1:2	WEIGHT
			SHEET	1/1